

Technical features

Pilot pressure reducing-relieving valves type PLP 30 are regulated from proportional solenoid which is controlled by a remote electronic card and modifies setting, changing the piloting system acting force.

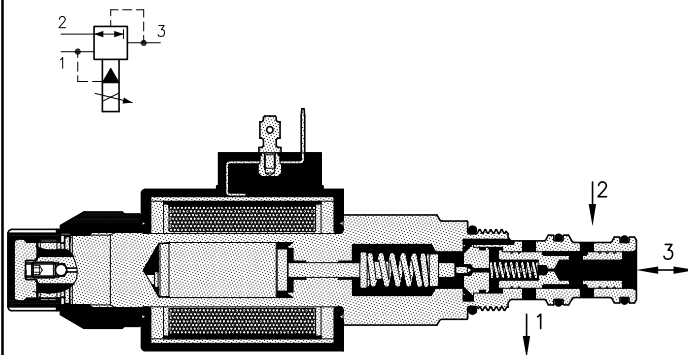
They are normally used as unidirectional proportional pressure reducing valves with flow from 2 to 3.

With flow from 3 to 1 they act as pressure relief valve and by de-energised valve, flow coming from 3 is drained in 1 at a minimum setting pressure.

Operating on potentiometer through electronic card allows to act on proportional solenoid and it's possible to obtain numberless precise and repeatable adjustments.

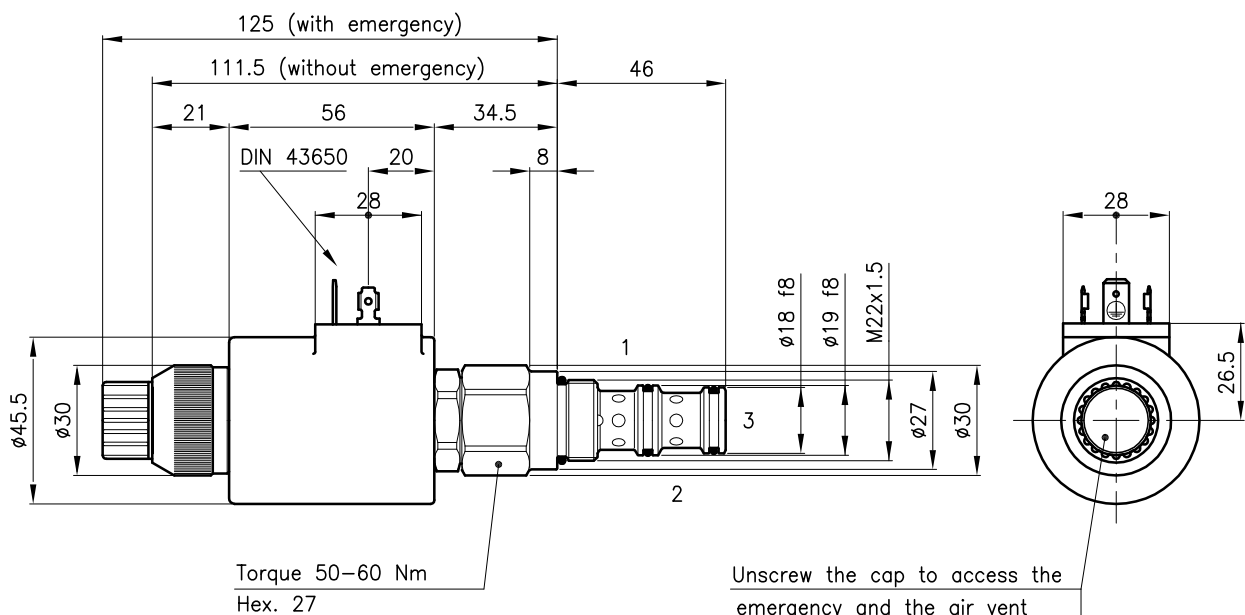
For electronic control card technical features see from General Catalogue page n. 10.250.

| | | |
|---|---------------------------------------|-----------|
| Cavity | (For dimensions see catalogue 17.000) | S 30/3 |
| Max. flow | (l/min.) | 45 |
| Max. pressure on line 2 | (bar) | 315 |
| Max. pressure on line 1 | (bar) | 210 |
| Fluid viscosity range | (cSt) | 2.8 - 380 |
| Fluid temperature range | (°C) | -20 +80 |
| Max. drain | (cm ³ /min.) | 600 |
| Mass | (kg) | 0.640 |
| Hydraulic fluid; mineral oil HM and HV ISO 6074 | | |
| Recommended filtration; 19/15 ISO 4466 (25 μ absolutes) | | |
| Standard seals in Polyurethane and Buna N | | |



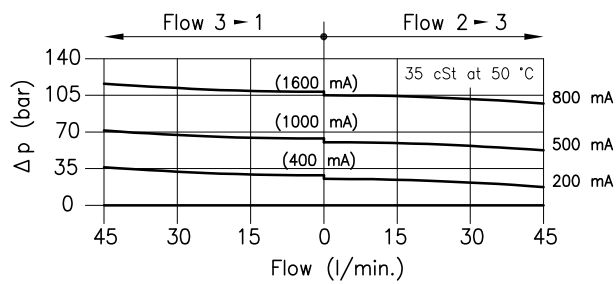
| | | | |
|------------------|-------------|-------|-----|
| Nominal voltage | (Volt) | 12 | 24 |
| Current range | (mA) | 1600 | 800 |
| Nominal power | (Watt) | 22 | |
| Resistance | (Ω) | 6.8 | 26 |
| Insulation class | (VDE 0580) | F 155 | |
| Rating | (ED%) | 100 | |
| Protection class | (DIN 40050) | IP 65 | |

Dimensions

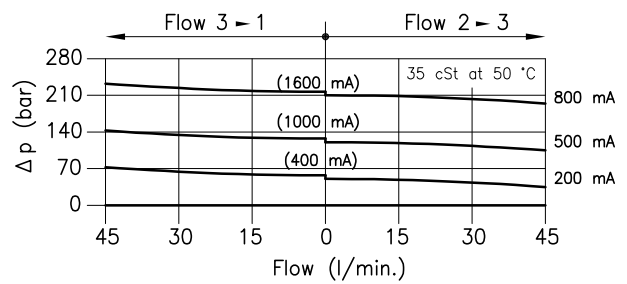


TYPICAL VALVES FEATURE AT VARIOUS OF CONTROL CURRENT

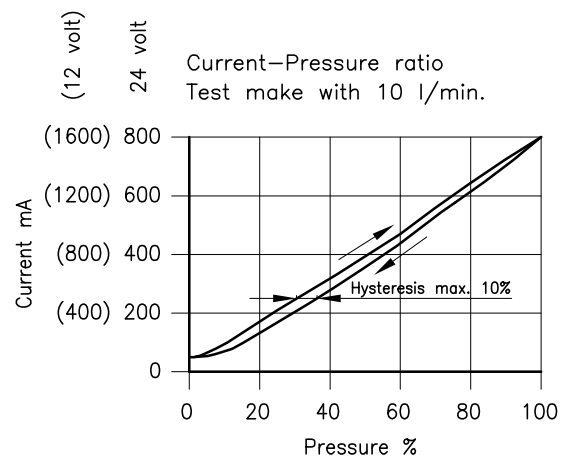
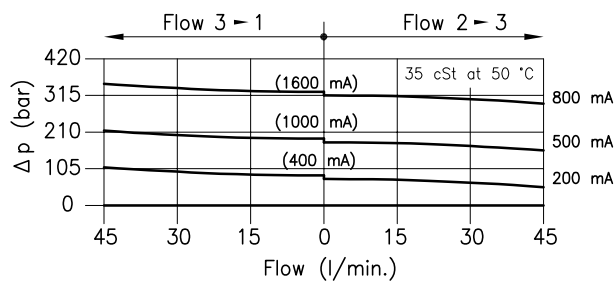
Type U (7–105 bar)



Type D (10–210 bar)



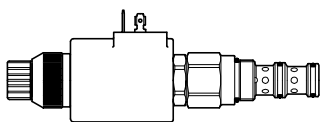
Type T (14–315 bar)



Ordering informations

PLP 30/D-24C-22H-W

PLP 30 = Valve type



Setting range

U = 7 – 105 bar

D = 10 – 210 bar

T = 14 – 315 bar

Voltage and power

12C-22H = 12 Volt DC

24C-22H = 24 Volt DC

W = Optional without Emergency

Codes:

PLP 30/U-12C-22H 35 011 170

PLP 30/D-12C-22H 35 011 171

PLP 30/T-12C-22H 35 011 172

PLP 30/U-24C-22H 35 011 185

PLP 30/D-24C-22H 35 011 186

PLP 30/T-24C-22H 35 011 187

External seals kit 90 620 104

Code only coil:

Coil P50-24C-22H 55 125 114

Coil P50-12C-22H 55 125 113

PLP 30 valves can be assembled on standard bodies 30-C3 series; for dimensions see catalogue 16.010