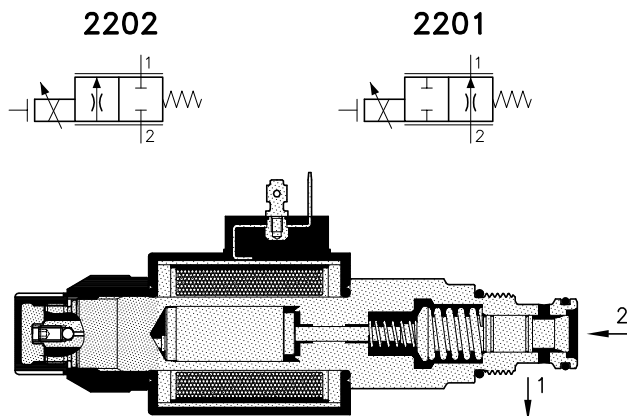


Technical features

Proportional solenoid valves PSS 30 are flow regulator not compensated, normally closed or normally open, which is controlled by a remote electronic card.

Operating on potentiometer through electronic card allows to act on proportional solenoid and it's possible to obtain an infinitude of different regulations with great precision and repeatability.

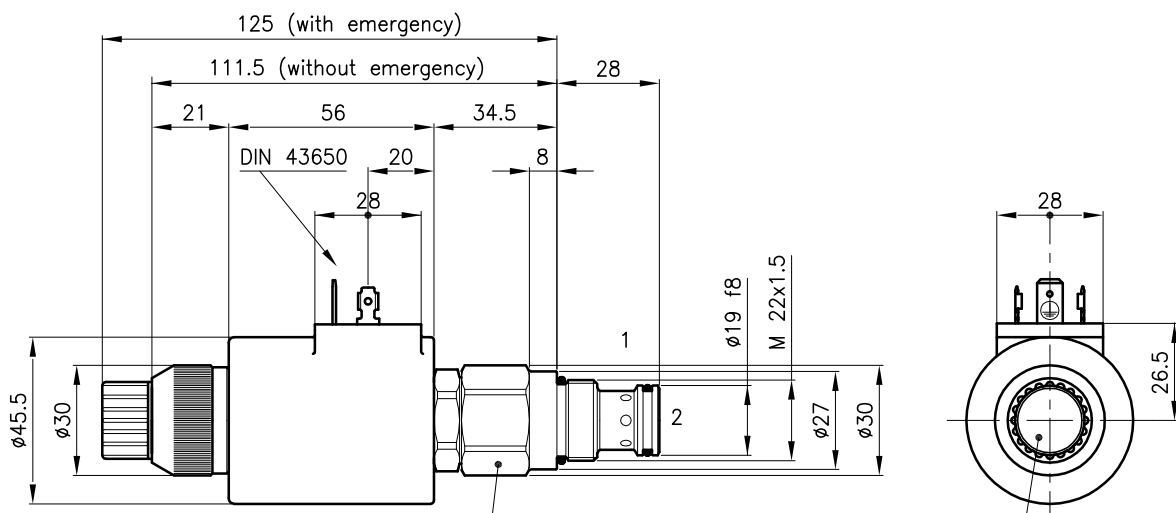
For technical features of electronic control cards see from General Catalogue page n. 10.250.



Cavity	(For dimensions see catalogue 17.000)	S 30/2
Max. flow	(l/min.)	70
Max. pressure on line 1	(bar)	315
Max. pressure on line 2	(bar)	210
Fluid viscosity range	(cSt)	2.8 - 380
Fluid temperature range	(°C)	-20 +80
Max. leakage	(cm ³ /min.)	100
Mass	(kg)	0.620
Hydraulic fluid; mineral oil HM and HV ISO 6074		
Recommended filtration; 19/15 ISO 4466 (25 μ absolutes)		
Standard seals in Polyurethane and Buna N		

Nominal voltage	(Volt)	12	24
Current range	(mA)	1600	800
Nominal power	(Watt)	22	
Resistance	(Ω)	6.8	26
Insulation class	(VDE 0580)	F 155	
Rating	(ED%)	100	
Protection class	(DIN 40050)	IP 65	

Dimensions

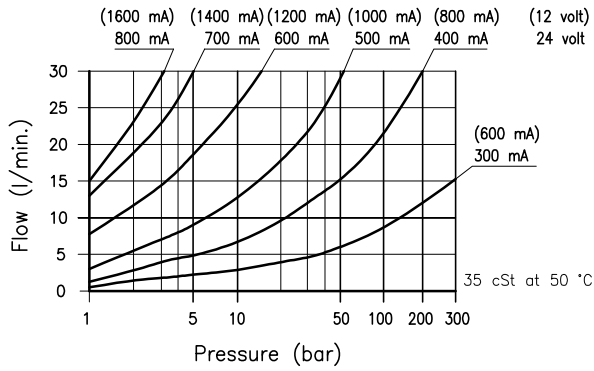


Torque 50-60 Nm
Hex. 27

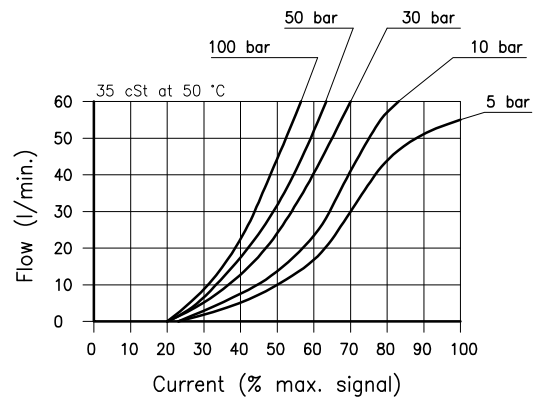
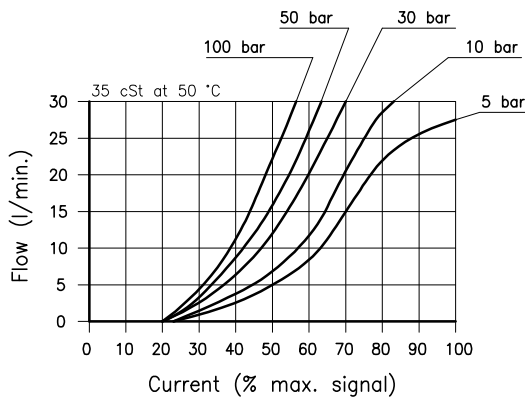
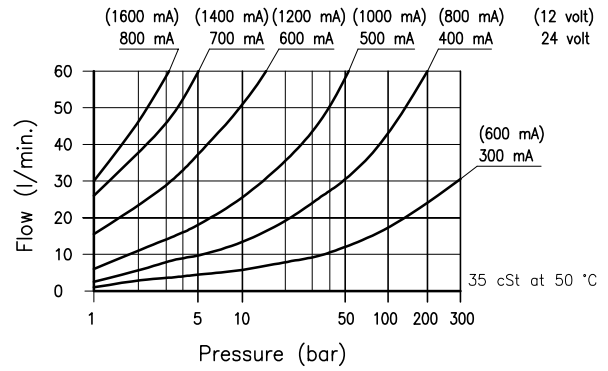
Unscrew the cap to access the emergency and the air vent see catalogue 10.900

TYPICAL VALVES FEATURE AT VARIOUS OF CONTROL CURRENT

"D" Version (30 l/min.)



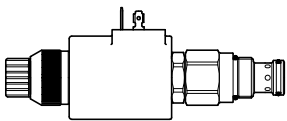
"Q" Version (60 l/min.)



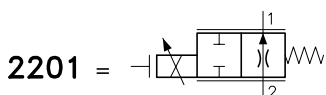
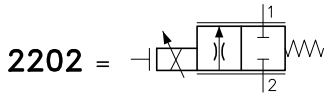
Ordering informations

PSS 30/2202-D-24C-22H-W

PSS 30 = Valve type



Circuit



Max. adjusted flow

D = 30 l/min.

Q = 60 l/min.

Voltage and power

12C-22H = 12 Volt DC

24C-22H = 24 Volt DC

Codes:

PSS 30/2202-D-12C-22H 35 011 181

PSS 30/2202-Q-12C-22H 35 011 182

PSS 30/2202-D-24C-22H 35 011 183

PSS 30/2202-Q-24C-22H 35 011 184

PSS 30/2201-D-12C-22H 35 011 247

PSS 30/2201-Q-12C-22H 35 011 248

PSS 30/2201-D-24C-22H 35 011 249

PSS 30/2201-Q-24C-22H 35 011 250

External seals kit 90 620 103

Code only coil:

Coil P50-24C-22H 55 125 114

Coil P50-12C-22H 55 125 113

PSS 30 valves can be assembled on standard bodies 30-LO series; for dimensions see catalogue 16.010

W = Optional without Emergency