

**Technical features**

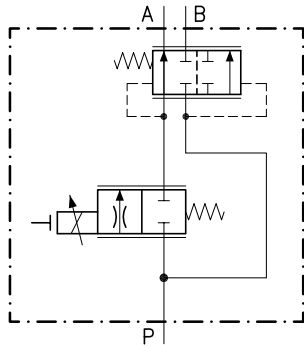
Proportional solenoid valves PPQ 30/3-Q4 are flow regulator compensated, three way priority By-pass style, which is controlled by a remote electronic card.

While the valve is not energized all the inlet flow is sent to the B port.

Operating on potentiometer through electronic card allows to act on proportional solenoid and it's possible to obtain an infinitude of different regulations with great precision and repeatability on port A.

The logic element ELP 30/Q4 allows to maintain the flow constant even if the pressure changes.

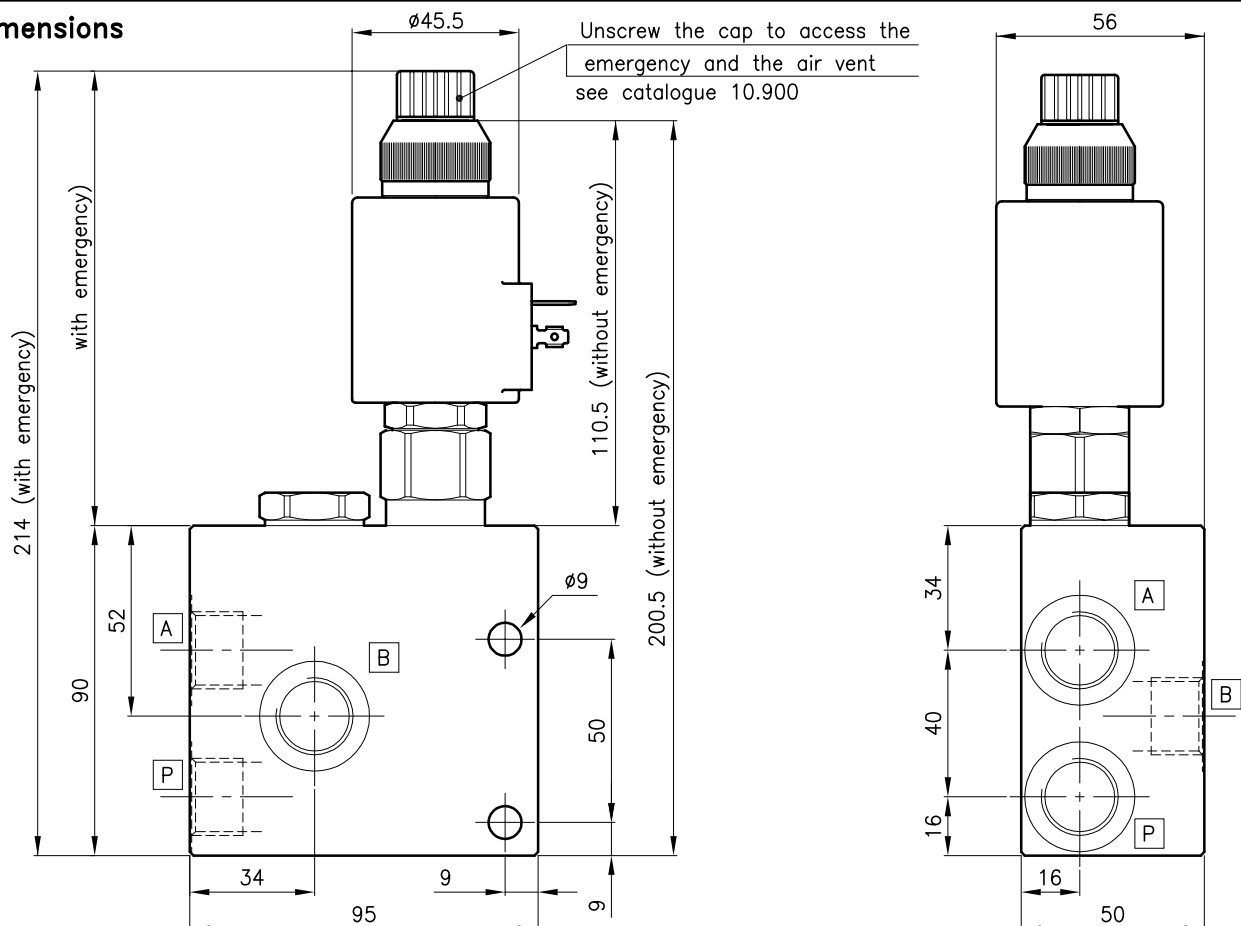
For technical features of electronic control cards see from General Catalogue page n. 10.250.



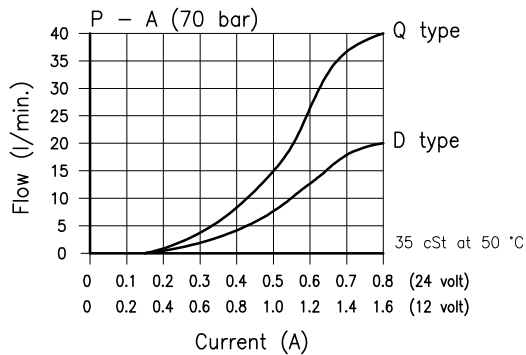
|   |                                     |             |
|---|-------------------------------------|-------------|
| Valves  | (For features see catalogue 16.160) | PSS 30/2202 |
|   | (For features see catalogue 11.130) | ELP 30/Q4   |
| Max. inlet flow   | (l/min.)                            | 60          |
| Max. flow range D type                                  | (l/min.)                            | 0 - 20      |
| Max. flow range Q type                                  | (l/min.)                            | 0 - 40      |
| Max. pressure   | (bar)                               | 315         |
| Fluid viscosity range                                   | (cSt)                               | 2.8 - 380   |
| Fluid temperature range                                 | (°C)                                | -20 +80     |
| Max. leakage  | (cm <sup>3</sup> /min.)             | 100         |
| Mass  | (kg)                                | 2.000       |
| Hydraulic fluid; mineral oil HM and HV ISO 6074         |                                     |             |
| Recommended filtration; 19/15 ISO 4466 (25 μ absolutes) |                                     |             |
| Standard seals in Polyurethane and Buna N               |                                     |             |

|                  |             |       |     |
|------------------|-------------|-------|-----|
| Nominal voltage  | (Volt)      | 12    | 24  |
| Current range    | (A)         | 1.6   | 0.8 |
| Nominal power    | (Watt)      | 22    |     |
| Resistance       | ( Ω )       | 6.8   | 26  |
| Insulation class | (VDE 0580)  | F 155 |     |
| Rating           | (ED%)       | 100   |     |
| Protection class | (DIN 40050) | IP 65 |     |

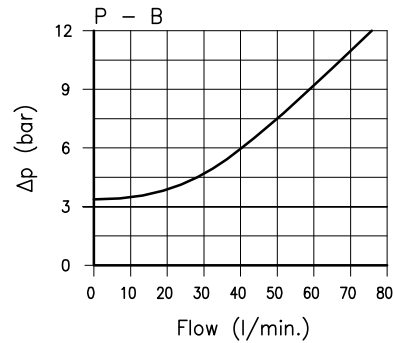
**Dimensions**



**TYPICAL VALVES FEATURE  
AT VARIOUS OF CURRENT**

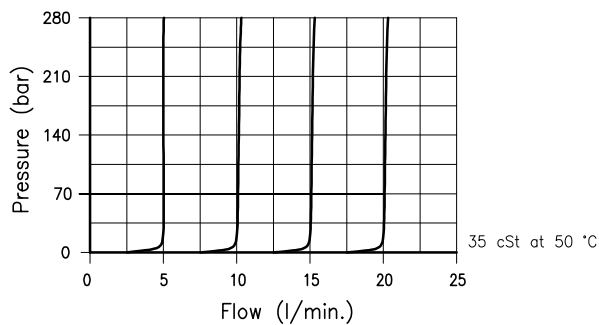


**PRESSURE DROP FEATURE  
BY-PASS P - B**

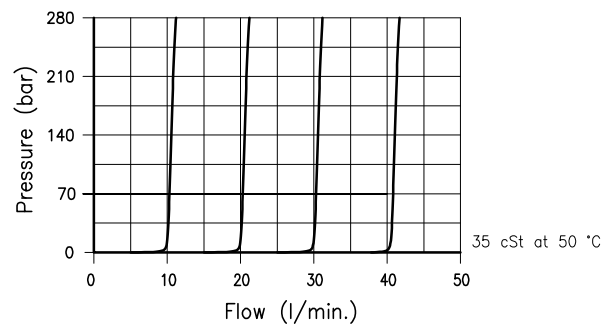


**TYPICAL VALVES FEATURE AT VARIOUS OF PRESURE**

**"D" Version (20 l/min.)**



**"Q" Version (40 l/min.)**



**Ordering informations**

**PPQ 30/3-Q4-D-24C-22H-B08-W**

PPQ 30 = Valve type

Way number

Logic element ELP 30/Q4

Flow range

**D** = 0 - 20 l/min.

**Q** = 0 - 40 l/min.

Voltage and power

**12C-22H** = 12 Volt DC

**24C-22H** = 24 Volt DC

**W** = Optional without Emergency

Standard ports

**B08** G 1/2 ISO 228

Codes:

PPQ 30/3-Q4-D-12C-22H-B08 35 011 259

PPQ 30/3-Q4-Q-12C-22H-B08 35 011 260

PPQ 30/3-Q4-D-24C-22H-B08 35 011 261

PPQ 30/3-Q4-Q-24C-22H-B08 35 011 262

Only body code:

Body type 30-CSL 17/Q4-B08 38 144 142