

Technical features

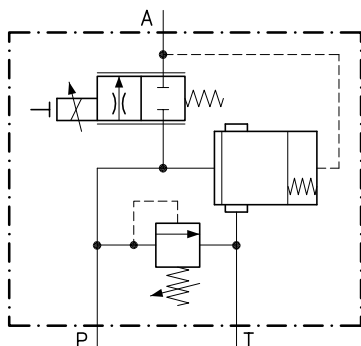
Proportional solenoid valves PPB 30/3 are flow regulator compensated, three way priority By-pass style, which is controlled by a remote electronic card.

While the valve is not energized all the inlet flow is sent to the T port.

Operating on potentiometer through electronic card allows to act on proportional solenoid and it's possible to obtain an infinitude of different regulations with great precision and repeatability on port A.

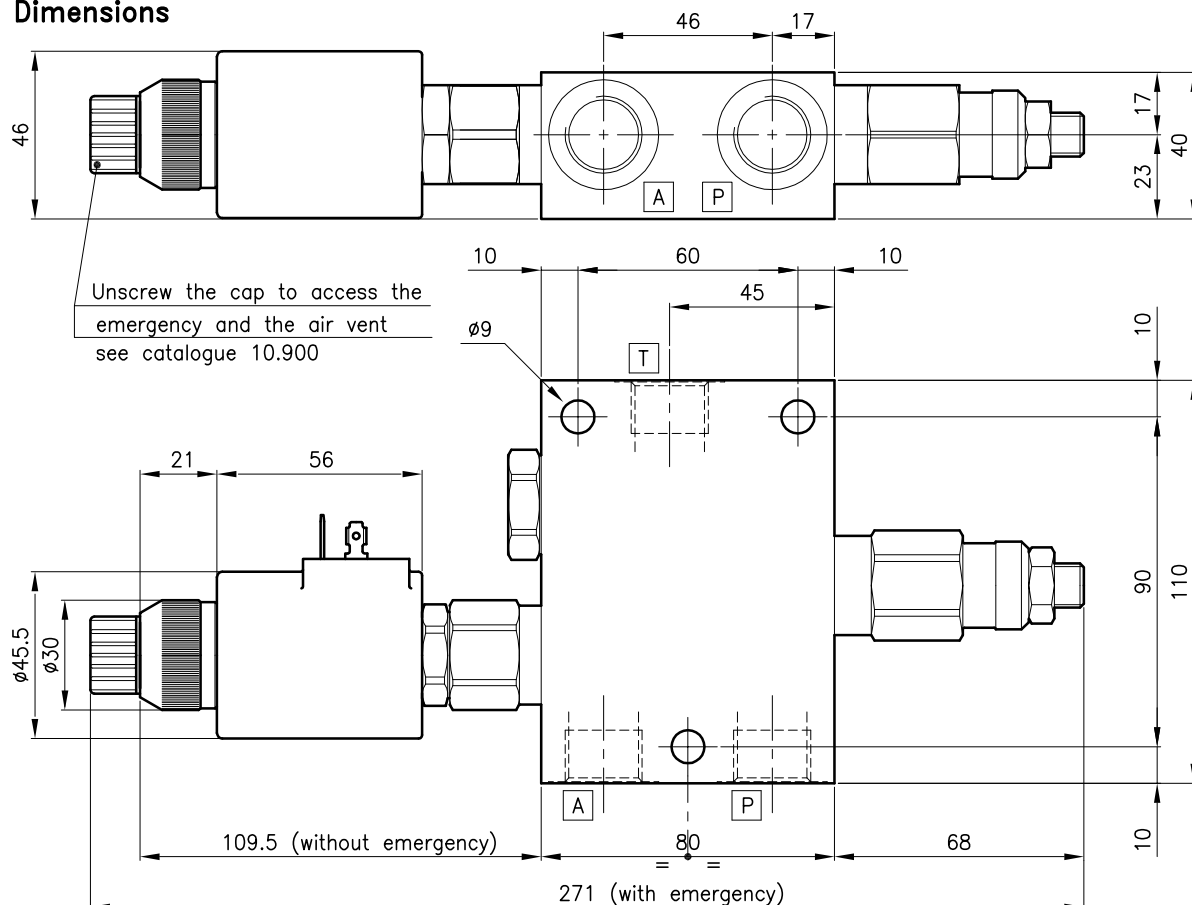
The logic element ELP 30/Q1 allows to maintain the flow constant even if the pressure changes.

PPB 30/3 valves assemble one pressure relief valve LPB 30. For technical features of electronic control cards see from General Catalogue page n. 10.250.

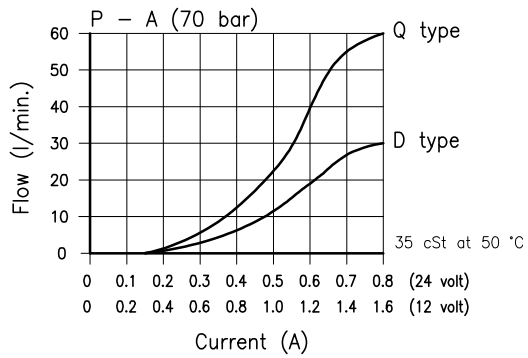


Valves	(For features see catalogue 16.160)	PSS 30/2202	
	(For features see catalogue 11.010)	ELP 30/Q1	
	(For features see catalogue 02.090)	LPB 30	
Max. inlet flow	(l/min.)	60	
Max. flow range D type	(l/min.)	0 - 30	
Max. flow range Q type	(l/min.)	0 - 60	
Max. pressure	(bar)	315	
Fluid viscosity range	(cSt)	2.8 - 380	
Fluid temperature range	(°C)	-20 +80	
Max. leakage	(cm ³ /min.)	100	
Mass	(kg)	1.750	
Hydraulic fluid; mineral oil HM and HV ISO 6074			
Recommended filtration; 19/15 ISO 4466 (25 μ absolutes)			
Standard seals in Polyurethane and Buna N			
Nominal voltage	(Volt)	12	24
Current range	(A)	1.6	0.8
Nominal power	(Watt)	22	
Resistance	(Ω)	6.8	26
Insulation class	(VDE 0580)	F 155	
Rating	(ED%)	100	
Protection class	(DIN 40050)	IP 65	

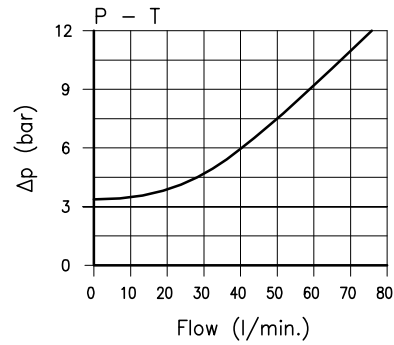
Dimensions



**TYPICAL VALVES FEATURE
AT VARIOUS OF CURRENT**

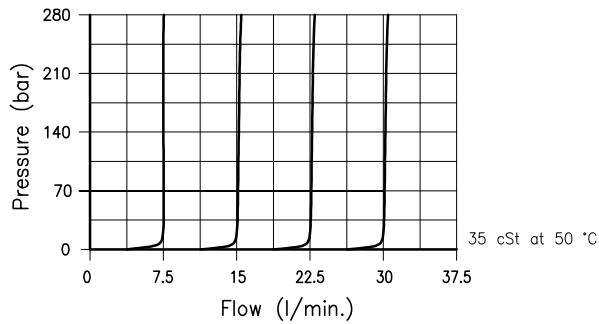


**PRESSURE DROP FEATURE
BY-PASS P - T**

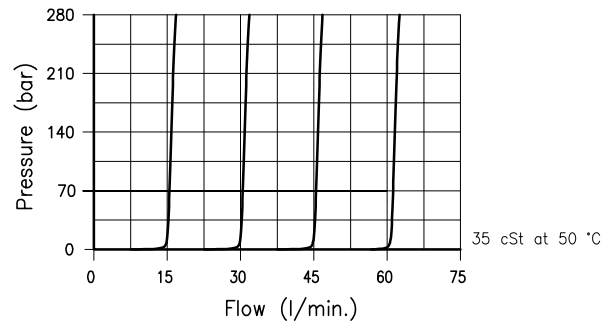


TYPICAL VALVES FEATURE AT VARIOUS OF PRESURE

"D" Version (30 l/min.)



"Q" Version (60 l/min.)



Ordering informations

PPB 30/3-D-24C-22H-U-B08-W

PPB 30 = Valve type

Way number

Flow range

D = 0 - 30 l/min.

Q = 0 - 60 l/min.

Voltage and power

12C-22H = 12 Volt DC

24C-22H = 24 Volt DC

W = Optional without Emergency

Standard ports

B08 G 1/2 ISO 228

Standard springs

Type Setting range

U = 10 - 105 bar

D = 70 - 210 bar

T = 140 - 350 bar

Only body code:

Body type 30-CSL 17B-B08 38 144 203