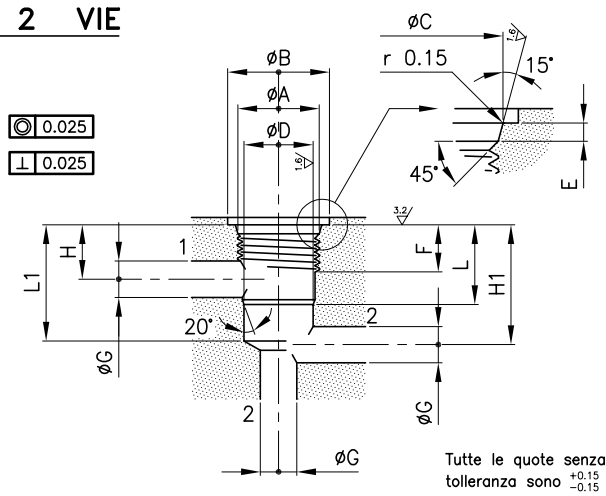
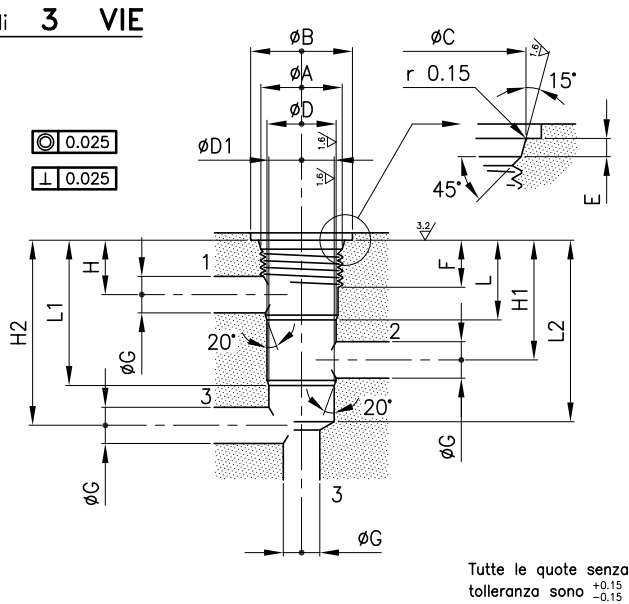


Sedi **2** VIE



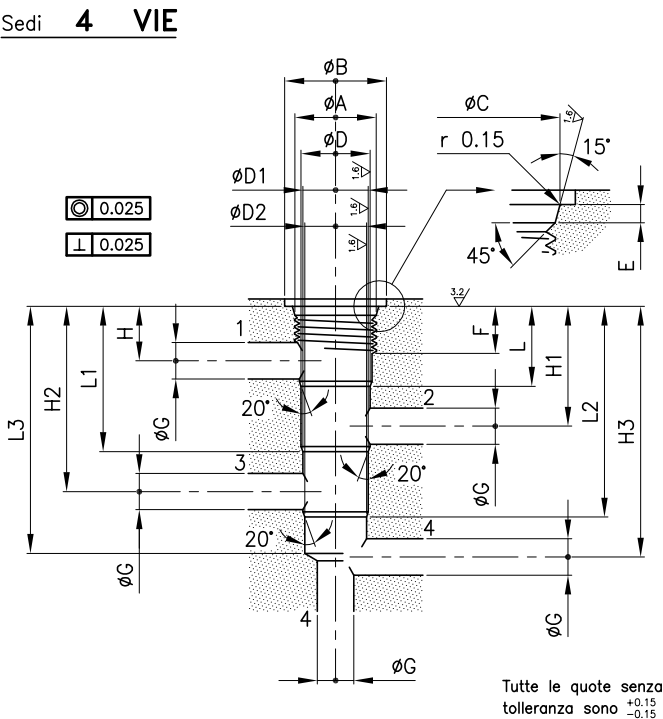
	S 20/2	S 30/2	S 50/2	S 70/2
A	M 18x1.5	M 22x1.5	M 33x2	M 42x2
B	23	28	40	50
C	19.8 $\begin{matrix} +0.10 \\ -0 \end{matrix}$	23.8 $\begin{matrix} +0.10 \\ -0 \end{matrix}$	35.4 $\begin{matrix} +0.10 \\ -0 \end{matrix}$	44.4 $\begin{matrix} +0.10 \\ -0 \end{matrix}$
D	15 $\begin{matrix} +0.027 \\ -0 \end{matrix}$	19 $\begin{matrix} +0.033 \\ -0 \end{matrix}$	28 $\begin{matrix} +0.033 \\ -0 \end{matrix}$	38 $\begin{matrix} +0.039 \\ -0 \end{matrix}$
E	2.6 $\begin{matrix} +0.20 \\ -0.20 \end{matrix}$	2.6 $\begin{matrix} +0.20 \\ -0.20 \end{matrix}$	3.3 $\begin{matrix} +0.20 \\ -0.20 \end{matrix}$	3.3 $\begin{matrix} +0.20 \\ -0 \end{matrix}$
F	11	13	16	19
G	8	10.5	15	20
H	13	15	21	26
H1	28	33	46	57
L	18.5	22	32	39
L1	27	32	42	52

Sedi **3** VIE



	S 20/3	S 30/3	S 50/3	S 70/3
A	M 18x1.5	M 22x1.5	M 33x2	M 42x2
B	23	28	40	50
C	19.8 $\begin{matrix} +0.10 \\ -0 \end{matrix}$	23.8 $\begin{matrix} +0.10 \\ -0 \end{matrix}$	35.4 $\begin{matrix} +0.10 \\ -0 \end{matrix}$	44.4 $\begin{matrix} +0.10 \\ -0 \end{matrix}$
D	15 $\begin{matrix} +0.027 \\ -0 \end{matrix}$	19 $\begin{matrix} +0.033 \\ -0 \end{matrix}$	28 $\begin{matrix} +0.033 \\ -0 \end{matrix}$	38 $\begin{matrix} +0.039 \\ -0 \end{matrix}$
D1	14 $\begin{matrix} +0.027 \\ -0 \end{matrix}$	18 $\begin{matrix} +0.027 \\ -0 \end{matrix}$	27 $\begin{matrix} +0.033 \\ -0 \end{matrix}$	36 $\begin{matrix} +0.039 \\ -0 \end{matrix}$
E	2.6 $\begin{matrix} +0.20 \\ -0.20 \end{matrix}$	2.6 $\begin{matrix} +0.20 \\ -0.20 \end{matrix}$	3.3 $\begin{matrix} +0.20 \\ -0.20 \end{matrix}$	3.3 $\begin{matrix} +0.20 \\ -0.20 \end{matrix}$
F	11	13	16	19
G	8	10.5	15	20
H	13	15	21	26
H1	28	33	46	57
H2	43	51	71	88
L	18.5	22	32	39
L1	33.5	40	56	70
L2	42	50	66	83

Sedi **4** VIE



	S 20/4	S 30/4	S 50/4	S 70/4
A	M 18x1.5	M 22x1.5	M 33x2	M 42x2
B	23	28	40	50
C	19.8 $\begin{matrix} +0.10 \\ -0 \end{matrix}$	23.8 $\begin{matrix} +0.10 \\ -0 \end{matrix}$	35.4 $\begin{matrix} +0.10 \\ -0 \end{matrix}$	44.4 $\begin{matrix} +0.10 \\ -0 \end{matrix}$
D	15 $\begin{matrix} +0.027 \\ -0 \end{matrix}$	19 $\begin{matrix} +0.033 \\ -0 \end{matrix}$	28 $\begin{matrix} +0.033 \\ -0 \end{matrix}$	38 $\begin{matrix} +0.039 \\ -0 \end{matrix}$
D1	14 $\begin{matrix} +0.027 \\ -0 \end{matrix}$	18 $\begin{matrix} +0.027 \\ -0 \end{matrix}$	27 $\begin{matrix} +0.033 \\ -0 \end{matrix}$	36 $\begin{matrix} +0.039 \\ -0 \end{matrix}$
D2	13 $\begin{matrix} +0.027 \\ -0 \end{matrix}$	17 $\begin{matrix} +0.027 \\ -0 \end{matrix}$	26 $\begin{matrix} +0.033 \\ -0 \end{matrix}$	34 $\begin{matrix} +0.039 \\ -0 \end{matrix}$
E	2.6 $\begin{matrix} +0.20 \\ -0.20 \end{matrix}$	2.6 $\begin{matrix} +0.20 \\ -0.20 \end{matrix}$	3.3 $\begin{matrix} +0.20 \\ -0.20 \end{matrix}$	3.3 $\begin{matrix} +0.20 \\ -0 \end{matrix}$
F	11	13	16	19
G	8	10.5	15	20
H	13	15	21	26
H1	28	33	46	57
H2	43	51	71	88
H3	58	69	96	119
L	18.5	22	32	39
L1	33.5	40	56	70
L2	48.5	58	80	101
L3	57	68	90	114